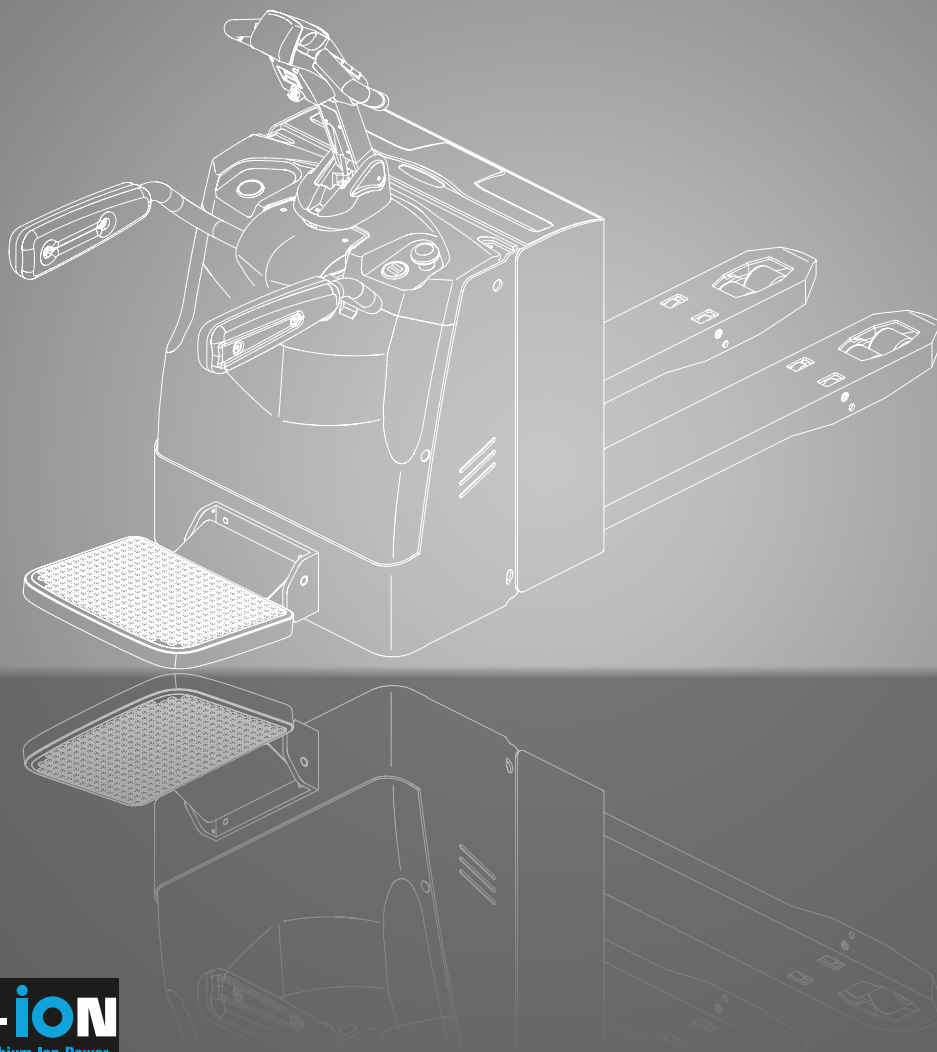


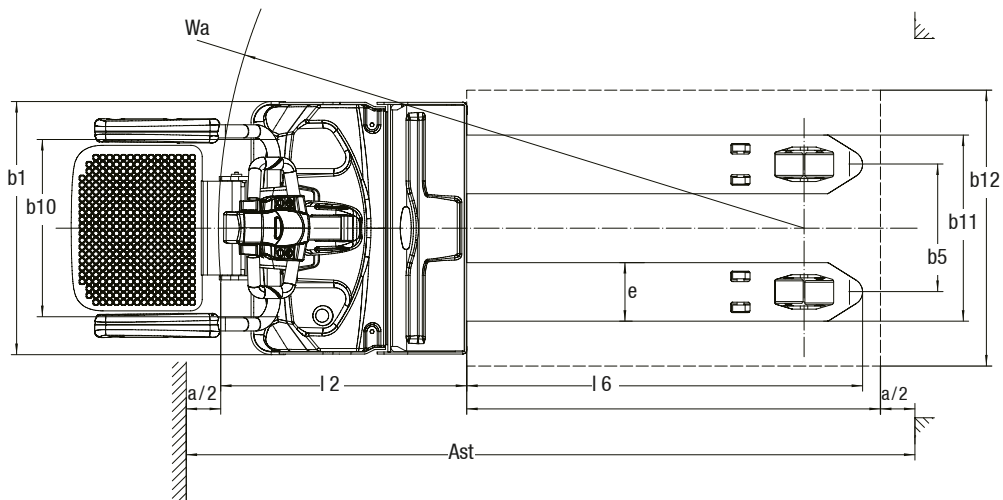
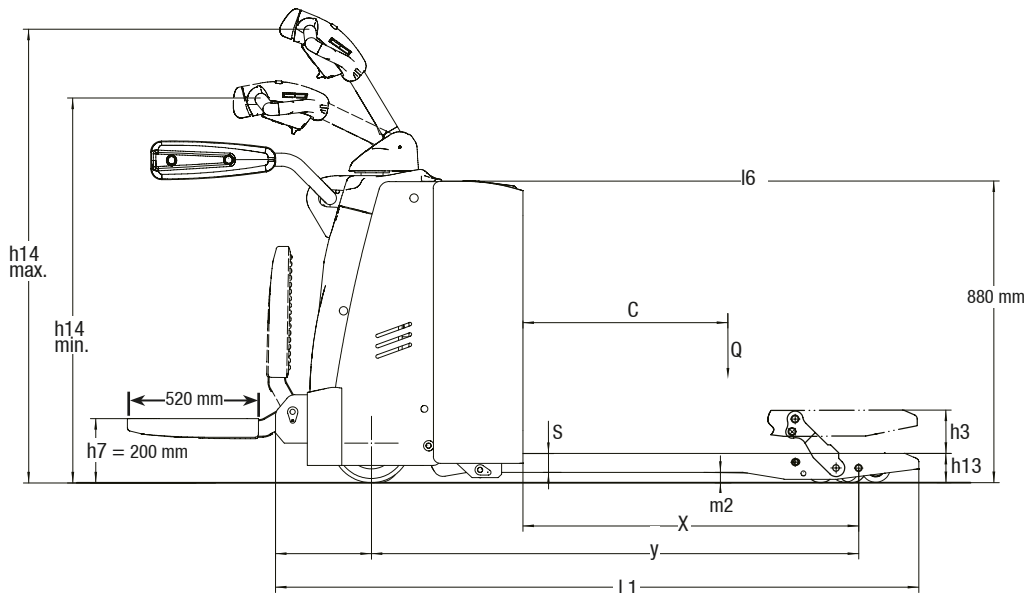
# PPXS20

Low Lift Pallet Truck  
Optional with Lithium-Ion Battery  
2.000 kg



# DIMENSIONS

## PPXS20



$$R_n = \sqrt{x^2 + \left(\frac{b_{12}}{2}\right)^2}$$

$$A_{st} = W_a + l_6 - x + a \quad \text{if } R_n < W_a$$

$$A_{st} = R_n + l_6 - x + a \quad \text{if } R_n > W_a$$

For corresponding data see Specification Chart.

# SPECIFICATIONS

## Product Specification acc. to VDI 2198

| 1.1 Manufacturer (Abbreviation) |   | CLARK                  | CLARK                   | CLARK                            |
|---------------------------------|---|------------------------|-------------------------|----------------------------------|
| Specifications                  | 1.2 Manufacturer's designation                                  | <b>PPXS20 (8 km/h)</b> | <b>PPXS20 (12 km/h)</b> | <b>PPXS20 (12 km/h / Li-Ion)</b> |
|                                 | 1.3 Drive   | 24V Electric           | 24V Electric            | 24V Electric                     |
|                                 | 1.4 Operator type   | Stand-on / Pedestrian  | Stand-on / Pedestrian   | Stand-on / Pedestrian            |
|                                 | 1.5 Rated capacity/rated load                                   | Q (kg)                 | 2000                    | 2000                             |
|                                 | 1.6 Load centre distance  | c (mm)                 | 600                     | 600                              |
|                                 | 1.8 Load distance   | x (mm)                 | 980                     | 980                              |
|                                 | 1.9 Wheelbase   | y (mm)                 | 1631                    | 1631                             |
|                                 | 1531  |                        |                         |                                  |
| Weight                          | 2.1 Service weight incl. battery (see 6.5)                      | kg                     | 703                     | 703                              |
|                                 | 2.2 Axle loading, laden front/rear                              | kg                     | 1096 / 1607             | 1096 / 1607                      |
|                                 | 2.3 Axle loading, unladen front/rear                            | kg                     | 576 / 127               | 576 / 127                        |
| 540 / 130                       |   |                        |                         |                                  |
| Tyres, Chassis                  | 3.1 Tyres   | Polyurethane           | Polyurethane            | Polyurethane                     |
|                                 | 3.2 Tyre size, front  | Ø 230 x 75             | Ø 230 x 75              | Ø 230 x 75                       |
|                                 | 3.3 Tyre size, rear   | Ø 85 x 115 / Ø 85 x 70 | Ø 85 x 115 / Ø 85 x 70  | Ø 85 x 70 / Ø 83 x 115           |
|                                 | 3.4 Additional wheels   | Ø 130 x 60             | Ø 130 x 60              | Ø 130 x 55                       |
|                                 | 3.5 Wheels, number front/rear (x = driven wheels)               | 1x + 2/2 (1x + 2/4)    | 1x + 2/2 (1x + 2/4)     | 1x + 2/2 (1x + 2/4)              |
|                                 | 3.6 Tread, front  | b10 (mm)               | 510                     | 510                              |
|                                 | 3.7 Tread, rear   | b11 (mm)               | 370                     | 370                              |
| 370                             |   |                        |                         |                                  |
| Dimensions                      | 4.4 Lift  | h3 (mm)                | 120                     | 120                              |
|                                 | 4.4 Lift height   | h3 + h13 (mm)          | 205                     | 205                              |
|                                 | 4.8 Stand height  | h7 (mm)                | 185                     | 185                              |
|                                 | 4.9 Height tiller in driving position min./max.                 | h14 (mm)               | 1750 / 1288             | 1750 / 1288                      |
|                                 | 4.15 Height, lowered  | h13 (mm)               | 85                      | 85                               |
|                                 | 4.19 Overall length (without platform)                          | l1 (mm)                | 2054                    | 2054                             |
|                                 | 4.20 Length to face of forks (without platform)                 | l2 (mm)                | 904                     | 904                              |
|                                 | 4.21 Overall width  | b1 (mm)                | 734                     | 734                              |
|                                 | 4.22 Fork dimensions  | s • e • l (mm)         | 55 x 170 x 1150         | 55 x 170 x 1150                  |
|                                 | 4.25 Distance between fork-arms                                 | b5 (mm)                | 540                     | 540                              |
|                                 | 4.32 Ground clearance, centre of wheelbase * 2                  | m2 (mm)                | 30                      | 30                               |
|                                 | 4.33 Aisle width for pallets 1.000 x 1.200 sideways * 2         | Ast (mm)               | 2706                    | 2706                             |
|                                 | 4.34 Aisle width for pallets 800 x 1.200 lengthways             | Ast (mm)               | 2563                    | 2563                             |
| 4.35 Turning radius             | Wa (mm)   | 1906                   | 1906                    |                                  |
| 1806                            |   |                        |                         |                                  |
| Performance                     | 5.1 Travel speed, laden/unladen                                 | km/h                   | 7.5 / 8                 | 9 / 12                           |
|                                 | 5.2 Lift speed, laden/unladen                                   | m/s                    | 0.050 / 0.054           | 0.050 / 0.054                    |
|                                 | 5.3 Lowering speed, laden/unladen                               | m/s                    | 0.067 / 0.054           | 0.067 / 0.054                    |
|                                 | 5.8 Max. gradeability, laden/unladen * 1                        | %                      | 8 / 16                  | 8 / 16                           |
|                                 | 5.10 Service brake  |                        | Electric                | Electric                         |
|                                 | Electric  |                        |                         |                                  |
| Electrics                       | 6.1 Drive motor rating S2 60 min                                | kW                     | 1.6                     | 2.5                              |
|                                 | 6.2 Lift motor rating at S3 15 %                                | kW                     | 2.2                     | 2.2                              |
|                                 | 6.3 Battery acc. to DIN 43531/35/36 A, B, C, no                 |                        | DIN 43535 B             | DIN 43535 B                      |
|                                 | 6.4 Battery voltage/nominal capacity (5hr)                      | V/Ah                   | 24V / 375Ah             | 24V / 375Ah                      |
|                                 | 6.5 Battery weight  | kg                     | 288                     | 288                              |
|                                 | 6.6 Energy consumption acc. to VDI cycle                        | kWh/h                  | -                       | -                                |
|                                 | - Battery type  |                        | Traction Battery        | Traction Battery                 |
|                                 | 8.1 Type of drive unit  |                        | AC                      | AC                               |
| AC                              |   |                        |                         |                                  |
| Misc.                           | 10.5 Steering design  |                        | Electronic              | Electronic                       |
|                                 | 10.7 Sound pressure level at the driver's seat acc. to EN 12053 | dB(A)                  | 74                      | 74                               |
| 74                              |   |                        |                         |                                  |

\*1) At friction coefficient  $\mu=0.6$  with 1.6 km/h \*2) Working aisle width with platform (520 mm) folded up.

All data refer to trucks in standard design.

Performance may vary + 5 % and - 10 % due to motor and system efficiency tolerance. The performance shown represents nominal values which may be obtained under typical operating conditions of a machine. CLARK products and specifications are subject to change without notice.

# EQUIPMENT EXTRAS

|                                  |   | PPXS20 |
|----------------------------------|---|--------|
| <b>General</b>                   | 12 km/h version with power steering   | •      |
|                                  | 8 km/h version with power steering  | x      |
|                                  | 12 km/h version with power steering and Li-Ion battery                              | x      |
|                                  | Reliable and low-maintenance AC drive motor   | •      |
|                                  | Two caster wheels   | •      |
|                                  | Pallet Entry Wheels   | x      |
|                                  | Storage compartment for documents   | •      |
|                                  | Mechanically sprung operator platform with side guards                              | •      |
| <b>Drive and Battery Options</b> | Tandem load roller (polyurethane)   | •      |
|                                  | Single load roller (polyurethane)   | x      |
|                                  | Profiled drive wheel  | x      |
|                                  | Battery discharge indicator   | •      |
|                                  | Lithium-ion battery (24 V / 205 Ah)   | x      |
|                                  | Li-ion charger (24 V / 100 A) with 230 V plug                                       | x      |
|                                  | Battery compartment for batteries with 225 to 375 Ah or for a 205 Ah Li-Ion battery | •      |
|                                  | External fork spacing: 540 mm   | •      |
|                                  | Fork outer distance: 600 mm / 685 mm  | x      |
| <b>Dimensions</b>                | Fork length: 1150 mm  | •      |
|                                  | Fork length: 850 mm, 1000 mm, 1220 mm, 1450 mm, 2000 mm, 2400 mm                    | x      |
|                                  | Activation via key switch   | •      |
|                                  | Automatic lift cut-off at max. lift   | •      |
| <b>Safety</b>                    | Automatic parking brake   | •      |
|                                  | Load guard (height 1220 mm or 1525 mm)  | x      |
|                                  | Automatic speed reduction in curves   | •      |
|                                  | Automatic standby mode when leaving the platform                                    | •      |
|                                  | Controls suitable for right- and left-handed use                                    | •      |
|                                  | Non-slip platform surface   | •      |

• = Standard Equipment; x = Option

# FEATURES & BENEFITS

## PPXS20

### Handling

- Electrical & fine adjusted lifting and lowering
- Easy-to-grip positioning of the controls
- Automatic braking when the tiller is released
- Suitable for both left and right handers
- Electric power steering

### Truck display

- Battery discharge indicator
- Hour meter
- Fault code display

### Application

- For application on medium to long transport distances
- Smooth and quiet operation
- Manoeuvrable in confined spaces due to fold-up platform and folded-in side guards (pedestrian operation)
- Programmable driving behaviour

### Lithium-ion version

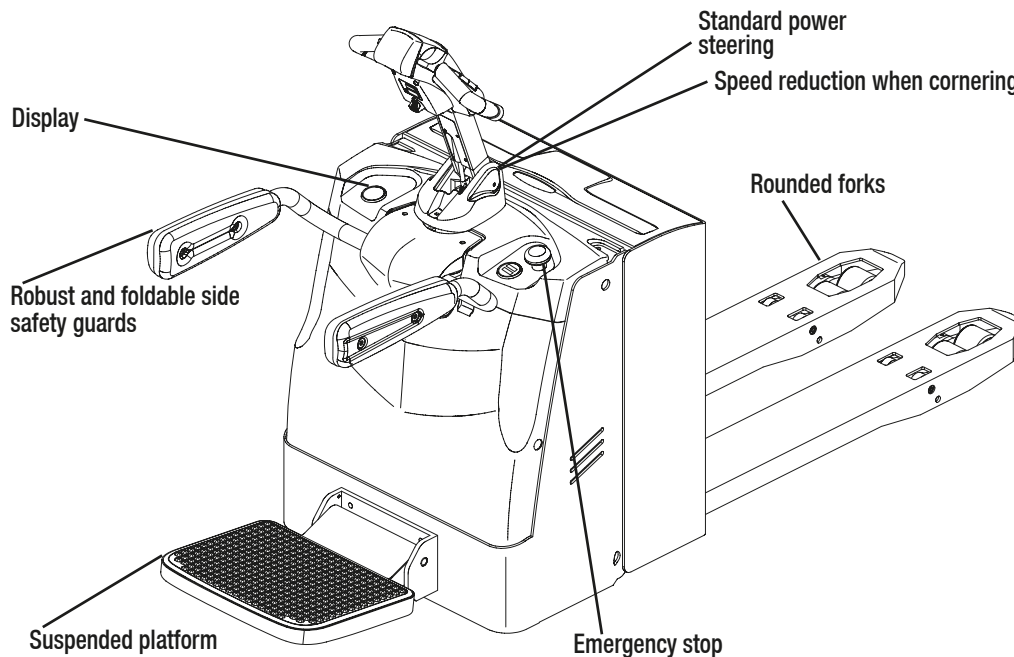
- 205 Ah Li-Ion battery available
- Short charging time
- 7% of the lithium-ion battery capacity can be charged in only 10 minutes
- High availability through intermediate charging
- The lithium-ion battery can be recharged at any 230-volt socket.

### Battery capacity for lead-acid batteries

- Battery capacity for lead-acid batteries up to 375 Ah

### Safety

- Low platform step height facilitates mounting and dismounting
- Roll-back protection on slopes
- Automatic speed reduction in curves
- When leaving the platform, the truck automatically switches to stand-by mode and is no longer moveable



# PRODUCT DESCRIPTION



## Application

The PPXS20 is designed for application on medium to long transport distances. The foldable driver's platform allows the truck to be used in confined spaces without any problems. The standard electric power steering and the suspension of the robust stand-on platform offer the driver additional comfort. Automatic speed reduction when cornering ensures a high level of safety.

## Versions

The CLARK PPXS20 low lift truck is available in three versions. As standard, the PPXS20 is offered in the 12 km/h version with power steering and battery compartment for lead-acid batteries. If a driving speed of 12 km/h is not required, a version with a maximum speed of 8 km/h is available as an alternative. For intensive applications and to avoid long downtimes for recharging the battery, the PPXS20 is also offered with a lithium-ion battery.

## Operator platform

The folding operator platform is standard on the PPXS20 and enhances both safety and ergonomics in the application. The platform can be folded up manually and is also ideal for use in space-critical work areas. The tread surface of the platform has a non-slip surface and offers optimum comfort thanks to an additional suspension. The very low step height also makes it easier to get on and off the platform in everyday work.

Should the driver leave the platform, the truck automatically switches to stand-by mode and the unit can no longer be moved. A maximum driving speed of up to 12 km/h is possible when the side guards are activated. When the side guards are folded in, the maximum driving speed is automatically reduced.

## Productivity

All controls and functions for lifting, lowering and driving are positioned within easy reach in the ergonomic safety tiller. This allows the operator to concentrate fully on transporting goods. The speed reduction when cornering ensures a high level of safety in curves. All models have a storage compartment for documents as standard.

## Advantages of lithium-ion technology

The lithium-ion battery ensures maximum availability even during long periods of use. The lithium-ion battery can be easily recharged without limiting its service life. The batteries can be recharged at any 230-volt socket. There are no costs for adapting the charging infrastructure (e.g. for ventilation). In addition, no maintenance work is required around the battery acid. In only 10 minutes, 7 % of the Li-Ion battery capacity can be recharged.

## Reliability

In the design of the low-lift trucks, CLARK has used proven components and materials and installed them solidly to ensure a long service life, high performance and safety.

Dealer:

### CLARK Europe GmbH

Dr.-Alfred-Herrhausen-Allee 33  
47228 Duisburg / Germany  
Tel.: +49 (0)2065 499 13-0  
Fax: +49 (0)2065 499 13-290

E-Mail: [Info-europe@clarkmheu.com](mailto:Info-europe@clarkmheu.com)  
[www.clarkmheu.com](http://www.clarkmheu.com)

07/2022

Valid for Lot-no.: PPXS20: 8294